



The SonicWALL PRO 1260 Secure Switch

PRO SERIES

Integrated Network Security and LAN Switching Platform

- **Unique PortShield architecture**
- **Integrated gateway anti-virus, anti-spyware and intrusion prevention support**
- **Built-in 24-port auto-MDIX switch (managed and unmanaged options)**
- **Easy-to-use configuration wizards**
- **Advanced security and networking features such as DMZ, WAN/WAN failover and policy-based routing**
- **Configurable optional port**
- **Global management and reporting**

Today's business networks need robust security and flexible switching. Typically this requires purchasing separate hardware which means higher costs and greater resources spent deploying and managing each component. Until now. The SonicWALL® PRO 1260 Security Switch combines two well-known networking technologies; intelligent switching and deep packet inspection firewall/VPN, into a single, easy to deploy and manage solution. This unique appliance can be configured as an unmanaged switch under SonicOS Standard or as an intelligent managed LAN switching platform through the powerful SonicWALL PortShield architecture enabled in SonicOS Enhanced. The innovative PortShield architecture allows all 24 ports on the PRO 1260 to be independently and easily configured into custom security zones (PortShield groups), each with its own "virtual firewall" with complete granular rate limiting on a per port basis. Virtual firewalling ensures the ports are secured not only from the Internet, but also from other devices on the LAN. Designed for small network applications, this highly integrated, rackmountable security appliance ships in an unrestricted node configuration and integrates support for gateway anti-virus, anti-spyware, intrusion prevention, anti-spam and content filtering for true multi-layered security.

For businesses with basic network requirements, the PRO 1260 running SonicOS Standard integrates deep packet inspection capabilities with three independent security zones: WAN, Optional port and 24-port LAN. The Optional port can be configured as a DMZ, providing the convenience of a scalable, all-in-one solution at a low total-cost-of-ownership.

Features and Benefits

Unique PortShield Architecture provides the flexibility to configure all 24 LAN switch ports into separate security zones, providing protection not only from the WAN and DMZ, but also between devices inside the LAN. Effectively, each security zone has its own wire-speed 'mini-switch' that enjoys the protection of a dedicated deep packet inspection firewall. PortShield groups can be configured as additional LANs, WLANs or DMZs

Integrated gateway anti-virus, anti-spyware and intrusion prevention support secures the network against a comprehensive array of dynamic threats including viruses, spyware, worms, Trojans and software vulnerabilities such as buffer overflows, as well as peer-to-peer and instant messenger applications, backdoor exploits, and other malicious code

Built-in 24-port auto-MDIX Layer 2 switch allows multiple computers and printers to network together at wire-speed. Utilizing SonicOS Enhanced, it becomes an intelligent managed switch with configurability for port speed/duplex, granular 64 Kbps rate limiting, as well as support for traffic monitoring and statistics

Easy-to-use wizards simplify even the most complicated tasks, including initial device configuration, VPN set-up, public server and PortShield configuration

Advanced security and networking features available in SonicOS Enhanced include WAN/WAN failover, distributed wireless, zone and object-based management, policy-based routing and NAT, anti-spam and more

The optional port can be configured as a demilitarized zone (DMZ) for public facing servers or Internet resources

Award-winning Global Management System (GMS) provides comprehensive management and reporting tools for simplified configuration, enforcement and management of global security policies, VPN and services, all from a central location



PortShield Architecture – Flexible, Secure Switching

The PRO 1260 features PortShield, a unique architecture from SonicWALL for creating custom secure switching zones. Available in SonicOS Enhanced, PortShield provides network administrators with the flexibility to custom configure

up to 24 individual wired and wireless zones, with each zone effectively protected by its own deep packet inspection policy. Devices in each zone are secured from the Internet and DMZ, as well from other devices on the LAN.

Configuration
flexibility and
network security
in one
easy-to-use
solution

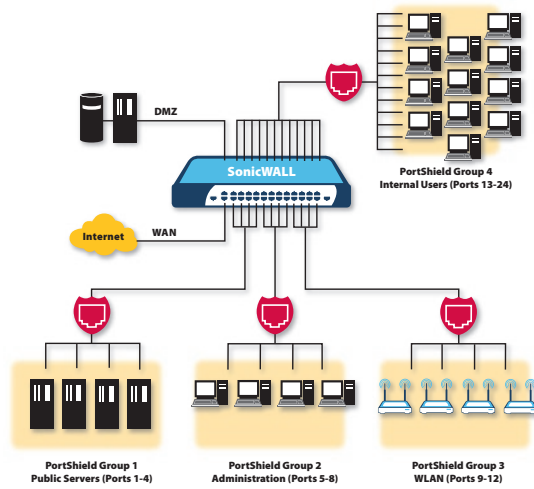


Figure 1: PortShield with 4 custom zones

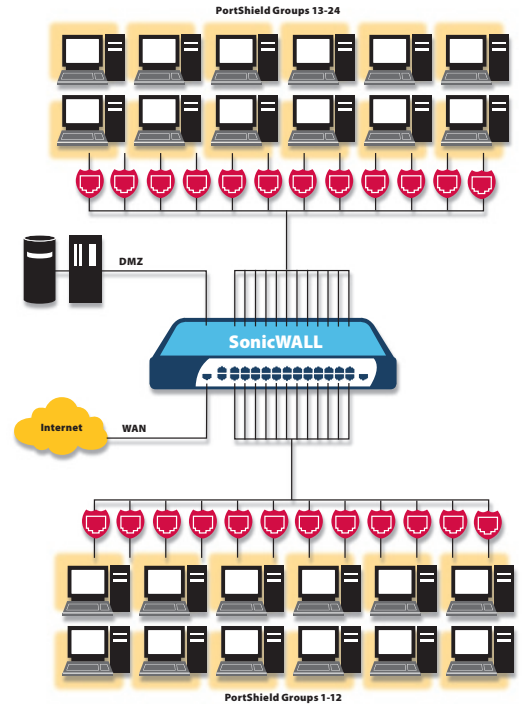


Figure 2: PortShield with 24 individual zones

PortShield is as easy as point, click, configure

PortShield brings the capabilities and benefits of a fully secured virtual LAN system to small network applications without all the cost and complexity. Now you can segment your network into custom-configured security zones with just a few simple clicks.

Figure 3: PortShield's intuitive point-and-click GUI

Name	PortShield Interface	Link Settings	Link Status	Comment	Configure
P1	LAN	Auto Negotiate	100 Mbps - Full Duplex		
P2	Engineering	Auto Negotiate	No link		
P3	Engineering	Auto Negotiate	No link		
P4	Engineering	Auto Negotiate	No link		
P5	Accounting	Auto Negotiate	No link		

The SonicWALL PRO 1260 running SonicOS Enhanced with PortShield delivers the configuration flexibility and security required for today's small network applications

Multi-tenant

Scenario: The landlord of a multi-business shopping center wants to maximize profits and create more value for tenants.

Problem: Each business needs its own DSL circuit. Wireless access is desired, however installing a wireless LAN is perceived as 'complicated' and generally considered a risk.

Solution: The PRO 1260 running SonicOS Enhanced with PortShield enables the landlord to offer each vendor free (or fee-based) rate-limited Internet services as well as complimentary wireless service in the common areas. The landlord can easily offer security services for additional revenue.

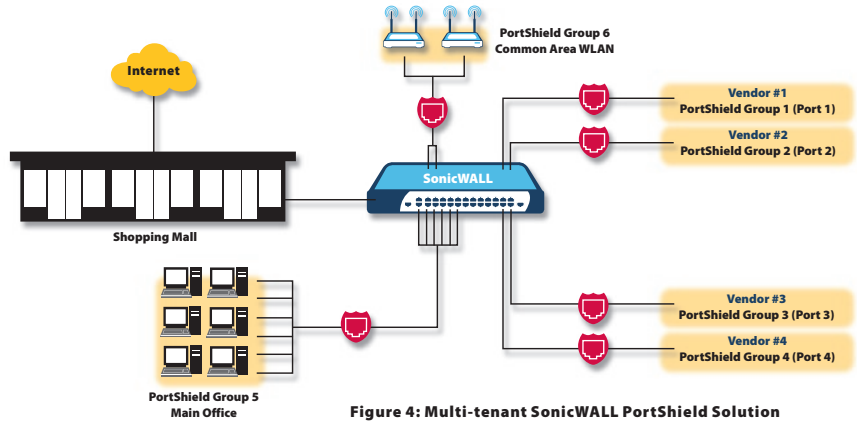


Figure 4: Multi-tenant SonicWALL PortShield Solution

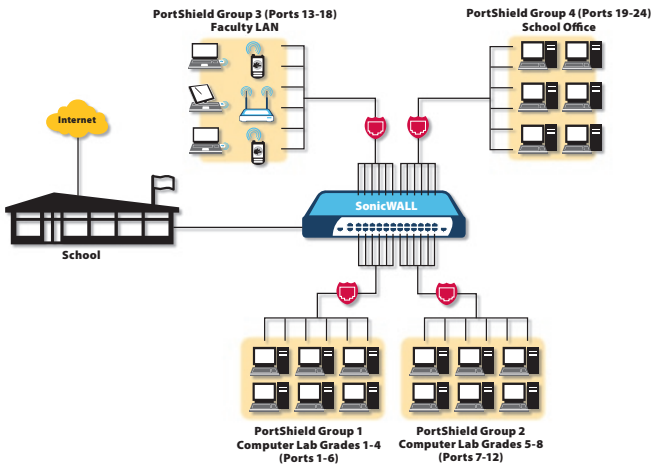


Figure 5: Education SonicWALL PortShield Solution

Education

Scenario: A school needs to provide students and faculty with Internet access while also running its own administrative network. Wireless access would also benefit the faculty.

Problem: The school network is not secure against Internet and student threats, which increases liability for general-use computers. Wireless access is considered unsafe.

Solution: The PRO 1260 running SonicOS Enhanced with PortShield provides the ability to separate the student network from the faculty's wireless network. Activating varying levels of content filtering for each grade protects against legal liability. Gateway anti-virus, anti-spyware and intrusion prevention protect the networks from external and internal threats while also providing control over student use of peer-to-peer and instant messaging applications.

Hospitality

Scenario: An 80-room hotel is spread over multiple floors where every room is wired for Internet access.

Problem: Today, the ports in all 80 rooms route back to a central switch, which leaves the rooms exposed to one another.

Solution: The PRO 1260 running SonicOS Enhanced with PortShield provides wireless and wired Internet access while isolating guest rooms from each other and from the hotel office. With optional content filtering activated, the hotel operator designates 20 rooms as "child friendly," offering a value-added service to customers.

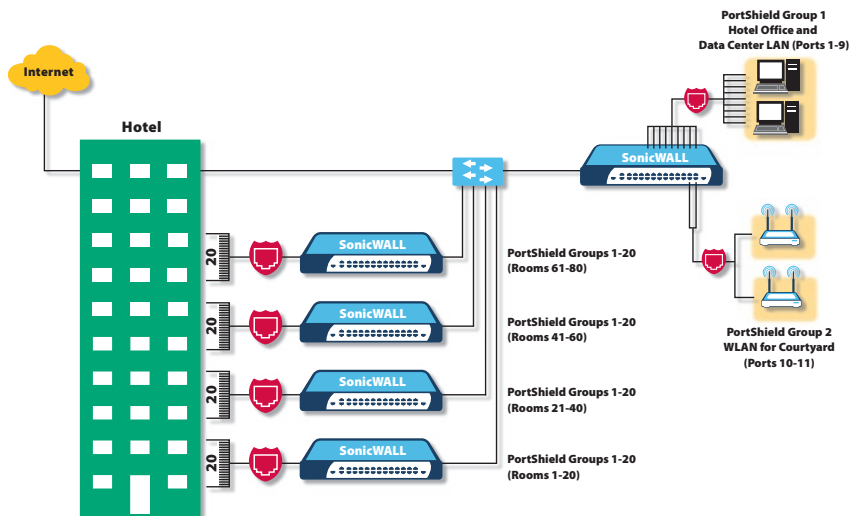


Figure 6: Hospitality SonicWALL PortShield Solution

Specifications

SonicWALL PRO 1260

Firewall

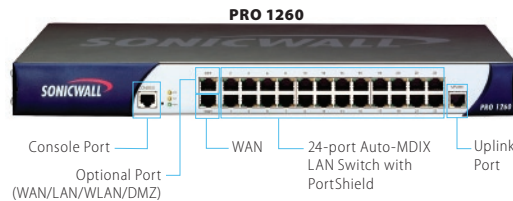
Nodes Supported	Unrestricted
Stateful Throughput	90 Mbps*
Deep Packet Inspection	Protection from viruses, spyware, worms, Trojans, and application layer attacks. Requires Gateway Anti-Virus, Anti-Spyware and Intrusion Prevention Service for signature updates
Gateway Anti-Virus Throughput	8 Mbps**
Connections	6000+
Policies	500
Denial of Service Attack Prevention	22 classes of DoS, DDoS and scanning attacks

VPN

3DES/AES Throughput	30+ Mbps*
Site-to-Site VPN	25 tunnels max
Remote Access VPN	50 tunnels max (5 clients bundled)
Encryption	DES, 3DES, AES (128, 192, 256-bit)
Authentication	MDS, SHA-1
Key Exchange	IKE, Manual Key, Certificates (X.509)
XAUTH/RADIUS	Yes
L2TP/IPSec	Yes
Certificate Support	Verisign*, Thawte, Baltimore, RSA Keon, Entrust*, and Microsoft* CA for SonicWALL-to-SonicWALL VPN
Dead Peer Detection	Yes
DHCP Over VPN	Yes
IPSec NAT Traversal	Yes, NAT_Tv00 and v03
Redundant VPN Gateway	Yes

Deep Inspection Security Services

Gateway Anti-Virus, Anti-Spyware and Intrusion Prevention	Extensive signature database. Peer-to-peer and instant messaging control and signature updates through Distributed Enforcement Architecture between all interfaces and zones ¹
Content Filtering Service (CFS) Standard Edition	URL, keyword and content scanning ActiveX*, Java Applet, and Cookie blocking ²
Gateway-enforced Network Anti-Virus	HTTP/S, SMTP, POP3, IMAP and FTP, Enforced McAfee™ Clients ³ E-mail attachment blocking
Bundled Features	90 days 8x5 international support, Global VPN Clients and services as described above



A Note on Throughput: In the diagram on page two, each of the four PortShield groups effectively has its own wire-speed intelligent switch. From the LAN to the WAN and between PortShield groups, the appliance shares 90 Mbps of aggregate firewall throughput.

SonicWALL Value-added Security Services

SonicWALL Internet security appliances integrate seamlessly with an expanding array of value-added security services to provide a comprehensive security solution. Gateway anti-virus, anti-spyware, intrusion prevention and content filtering can be deployed over both the wired and wireless LANs.

Enhanced Switch Features

PortShield	Ultimate port flexibility for custom security zones
Rate Limiting	64 Kbps, 128 Kbps, 256 Kbps, 512 Kbps, 1 Mbps, 4 Mbps, 10 Mbps, 20 Mbps
Port Speed	10 Mbps, 100 Mbps, Auto, Off
Duplex	Full, Half, Auto
Traffic Stats	TX/RX byte count, TX/RX packet count, error count, collision count

Networking

DHCP	Internal server, relay
WAN Modes	NAT and Transparent Modes with static or dynamic addressing
DDNS	Support for services offered by the following dynamic DNS providers: dyndns.org, yi.org, no-ip.com and changeip.com
Authentication	RADIUS, LDAP, Active Directory, internal user database
User Database	200
VoIP	Full H.323v1-5 and SIP support, inbound/outbound bandwidth management, call tracking and monitoring, full interoperability with most VoIP gateway and communications devices

System

Management and Monitoring	Local CLI, Web GUI (HTTP, HTTPS), SNMP v2; Global management with SonicWALL GMS
Logging and Reporting	ViewPoint*, Local Log, Syslog, WebTrends
Standards	TCP/IP, UDP, ICMP, HTTP, HTTPS, IPSec, ISAKMP/IKE, SNMP, DHCP, PPPoE, L2TP, PPTP, RADIUS

Hardware

Interfaces	(27) 10/100 Ethernet (WAN, 24-port LAN switch, Optional port, Uplink port)
Processor	SonicWALL Security Processor
Memory (RAM)	64 MB
Flash Memory	8 MB
Power Supply	Input: 100 to 240 VAC, 60-50 Hz, 1 A Output: 40 W, 5 VDC, 8 A
Max Power Consumption	24 W
Total Heat Dissipation	81.8 BTU
Certificates (Pending)	ICSA Firewall 4.1, ICSA IPSec VPN 1.0d
Dimensions	17.00 x 10.00 x 1.75 in 43.18 x 25.40 x 4.45 cm
Weight	7.15 lbs / 3.24 kg
Major Regulatory Compliance	FCC Class A, ICES Class A, CE, G-Tick, VCCI Class A, BSMI Class A, MIC, NOM, UL, cUL, TUV/GS, CB
Environment	40-105° F, 5-40° C Humidity 10-90% non-condensing
MTBF	7.7 years

* Testing Methodologies: Maximum performance based on RFC 2544 (for firewall). Actual performance may vary depending on network conditions and activated services.

- 1) 30-day service included
- 2) 30-day service included
- 3) 30-day 10-user service included

** Throughput measured using HTTP file downloads

For more information on SonicWALL security services, including gateway anti-virus, anti-spyware, intrusion prevention, and content filtering, please visit our Web site at <http://www.sonicwall.com/products/vpnsoft.html>.



SonicWALL PRO 1260

- SonicWALL PRO 1260 Enhanced (US/Canada) 01-SSC-5885
- SonicWALL PRO 1260 Enhanced (International) 01-SSC-5886
- SonicWALL PRO 1260 (US/Canada) 01-SSC-5860
- SonicWALL PRO 1260 (International) 01-SSC-5861
- SonicWALL SonicOS Enhanced Firmware Upgrade for PRO 1260 01-SSC-5876
- SonicWALL Gateway Anti-Virus, Anti-Spyware and Intrusion Prevention Service for PRO 1260 01-SSC-5770
- SonicWALL Content Filtering Premium Business Edition for PRO 1260 01-SSC-5652
- SonicWALL Content Filtering Premium Gov/Edu Edition for PRO 1260 01-SSC-5662
- SonicWALL Global Security Client (25 User License) 01-SSC-5252
- SonicWALL SonicPoint (US/Canada) 01-SSC-5522
- SonicWALL SonicPoint (International) 01-SSC-5523
- SonicWALL Support 8x5 for PRO 1260 01-SSC-5629
- SonicWALL Support 24x7 for PRO 1260 01-SSC-5630

SonicWALL, Inc.

1143 Borregas Avenue
Sunnyvale CA 94089-1306

T +1 408.745.9600
F +1 408.745.9300

www.sonicwall.com

